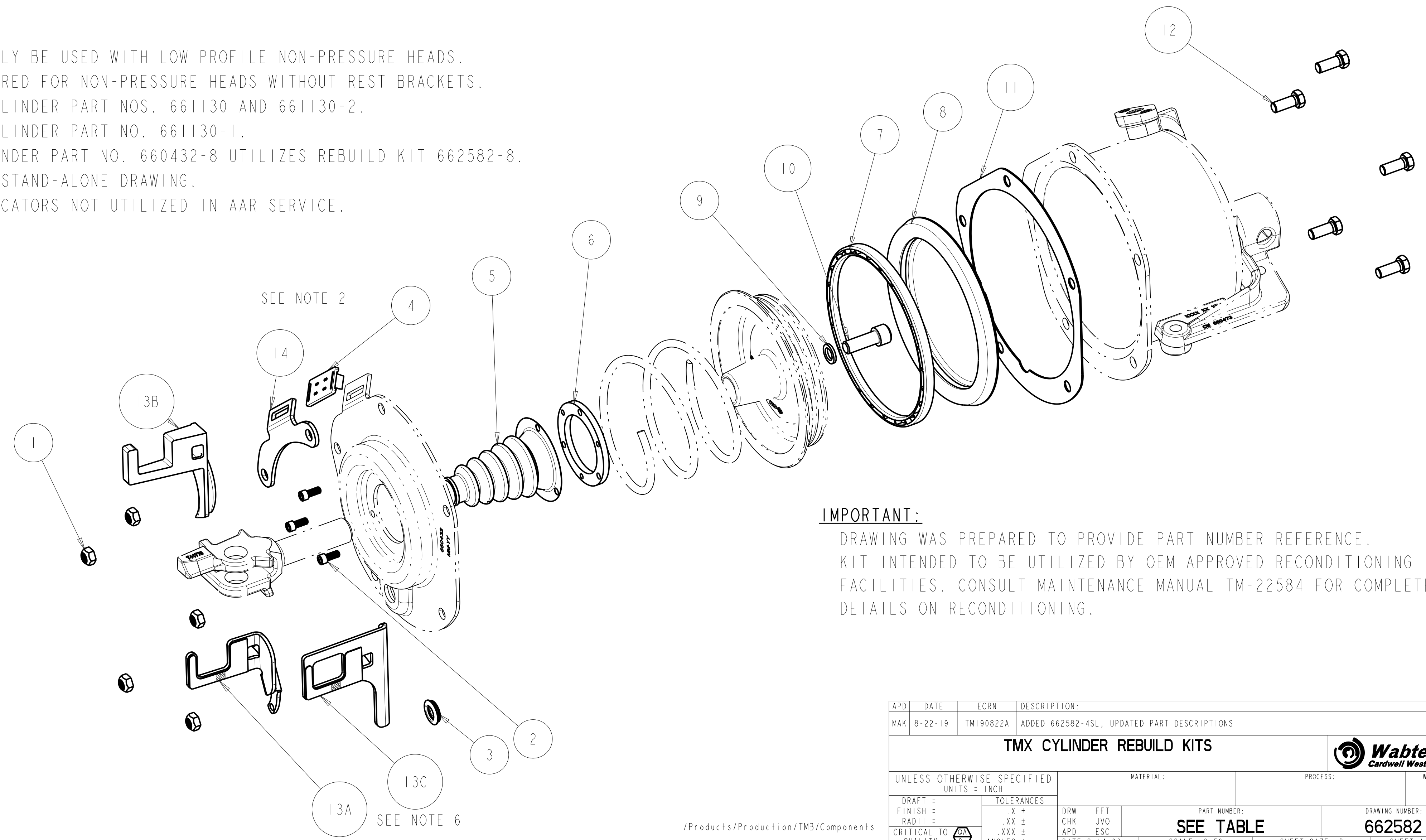
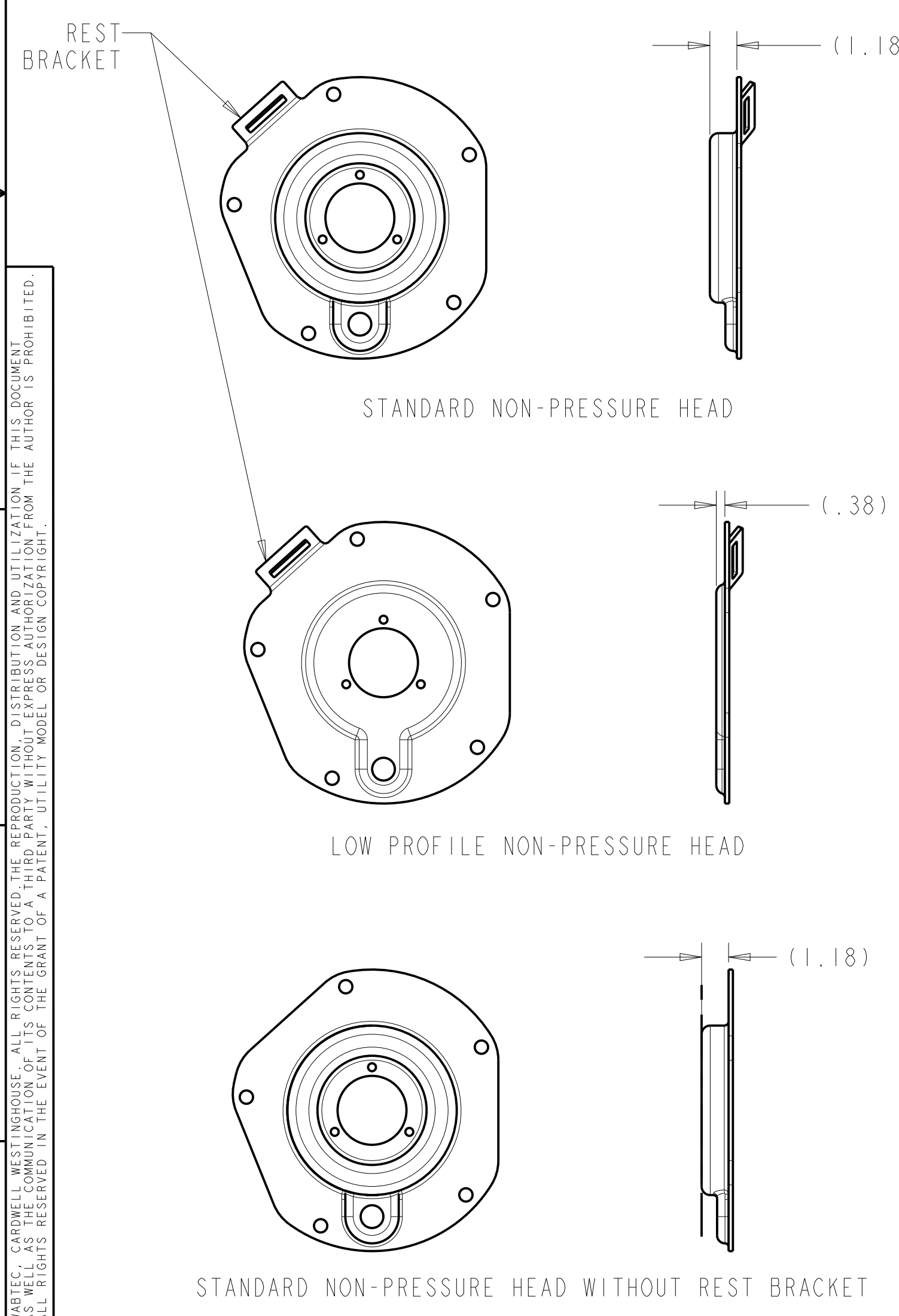


THIRD ANGLE PROJECTION DIMENSIONS & TOLERANCING PER ASME Y14.5-2009

ITEM	DESCRIPTION	QTY	7" 662582-1	7" 662582-1S	7" 662582-1SL SEE NOTE 1	8" 662582-2	8" 662582-2S	8" 662582-2SL SEE NOTE 1	9-1/4" 662582-3	9-1/4" 662582-3S	9-1/4" 662582-3SL SEE NOTE 1	9-1/4" LH 662582-4	9-1/4" LH 662582-4SL SEE NOTE 1	10" 662582-5	11" 662582-6	11" 662582-6SL SEE NOTE 1	12" 662582-7 SEE NOTE 3	12" 662582-9 SEE NOTE 4
1	HEX LOCKNUT 1/2-13 UNC-2B, GRADE 5	5	645002-1	645002-1	645002-1	645002-1	645002-1	645002-1	645002-1	645002-1	645002-1	645002-1	645002-1	645002-1	645002-1	645002-1	645002-1	645002-1
2	5/16-18 UNC-2A SHCS, .75" LONG	3	660451	660451	660451	660451	660451	660451	660451	660451	660451	660451	660451	660451	660451	660451	660451	660451
3	WASP EXCLUDER	1	660676	660676	660676	660676	660676	660676	660676	660676	660676	660676	660676	660676	660676	660676	660676	660676
4	WEAR SLEEVE	1	660674	660674	660674	660674	660674	660674	660674	660674	660674	660674	660674	660674	660674	660674	660674	660674
5	DUST BOOT	1	660321	660321	660321	660321	660321	660321	660321	660321	660321	660321	660321	660321	660321	660321	660321	660321
6	DUST BOOT RETAINER	1	660408	660408	660408	660408	660408	660408	660408	660408	660408	660408	660408	660408	660408	660408	660408	660408
7	PISTON GUIDE RING	1	660113	660113	660113	662568	662568	662568	660029	660029	660029	660029	660029	660029	660029	660029	660029	660029
8	PACKING CUP	1	660301	660301	660301	660498	660498	660498	660081	660081	660081	660081	660081	660081	660081	660081	660081	660081
9	WASHER-.985" DIA. X .125"	1	660019	660019	660019	660019	660019	660019	660019	660019	660019	660019	660019	660019	660019	660019	660019	660019
10	SOCKET HEAD CAP SCREW 5/8-11 UNC 3A 1.75 LONG	1	591892	591892	591892	591892	591892	591892	591892	591892	591892	591892	591892	591892	591892	591892	591892	591892
11	CYLINDER GASKET	1	660482	660482	660482	660409	660409	660409	660440	660440	660440	660440-1	660440-1	660440	660440	660440	660440	660440
12	HEX HEAD CAP SCREW 1/2-13 UNC 2A, GRADE 5 1.25 LONG	5	583810	583810	583810	583810	583810	583810	583810	583810	583810	583810	583810	583810	583810	583810	583810	583810
13A	STEEL PISTON TRAVEL INDICATOR	1	N/A	TM-22100	N/A	N/A	TM-22100	N/A	N/A	TM-22100	N/A	660580-3	N/A	N/A	TM-22100	N/A	660580-1	660580-2
13B	PLASTIC PISTON TRAVEL INDICATOR	1	660580	N/A	N/A	660580	N/A	N/A	660580	N/A	N/A	N/A	N/A	N/A	N/A	N/A	N/A	N/A
13C	STEEL PISTON TRAVEL INDICATOR, LOW PROFILE NPH ONLY		N/A	N/A	TM-22670	N/A	N/A	TM-22670	N/A	N/A	TM-22670	N/A	TM-23016	TM-22670	N/A	TM-22670	N/A	N/A
OPTIONAL ITEM MUST BE PURCHASED SEPARATELY IF REQUIRED BY OLDER MODEL CYLINDERS WITHOUT REST BRACKET																		
14	NPH HB REST BRACKET	1	660673-2	660673-2	660673-2	660673-1	660673-1	660673-1	660673	660673	660673	N/A	N/A	N/A	N/A	N/A	N/A	N/A

- NOTES:**
1. KIT CAN ONLY BE USED WITH LOW PROFILE NON-PRESSURE HEADS.
 2. ONLY REQUIRED FOR NON-PRESSURE HEADS WITHOUT REST BRACKETS.
 3. FOR 12" CYLINDER PART NOS. 661130 AND 661130-2.
 4. FOR 12" CYLINDER PART NO. 661130-1.
 5. 9.25" CYLINDER PART NO. 660432-8 UTILIZES REBUILD KIT 662582-8. THIS IS A STAND-ALONE DRAWING.
 6. STEEL INDICATORS NOT UTILIZED IN AAR SERVICE.



IMPORTANT:
DRAWING WAS PREPARED TO PROVIDE PART NUMBER REFERENCE. KIT INTENDED TO BE UTILIZED BY OEM APPROVED RECONDITIONING FACILITIES. CONSULT MAINTENANCE MANUAL TM-22584 FOR COMPLETE DETAILS ON RECONDITIONING.

WABTEC, CARDWELL WESTINGHOUSE, ALL RIGHTS RESERVED. THE REPRODUCTION, DISTRIBUTION AND UTILIZATION OF THIS DOCUMENT WITHOUT THE WRITTEN PERMISSION OF WABTEC, CARDWELL WESTINGHOUSE OR ITS DESIGN OR PATENT RIGHTS IS PROHIBITED. ALL RIGHTS RESERVED IN THE EVENT OF THE GRANT OF A PATENT, UTILITY MODEL OR DESIGN COPYRIGHT.

APD	DATE	ECRN	DESCRIPTION:	REV
MAK	8-22-19	TM190822A	ADDED 662582-4SL, UPDATED PART DESCRIPTIONS	E
TMX CYLINDER REBUILD KITS				
UNLESS OTHERWISE SPECIFIED UNITS = INCH		MATERIAL:		PROCESS:
DRAFT = .XX ±		PART NUMBER:		WEIGHT:
FINISH = .XX ±		SEE TABLE		DRAWING NUMBER:
RADII = .XXX ±		DATE: 8-14-03		662582
CRITICAL TO QUALITY		SCALE: 0.50		SHEET SIZE: D
		SHEET 1 OF 1		