



Delivering performance proven solutions for buses



OSSP

Electric Outside Sliding Plug Door

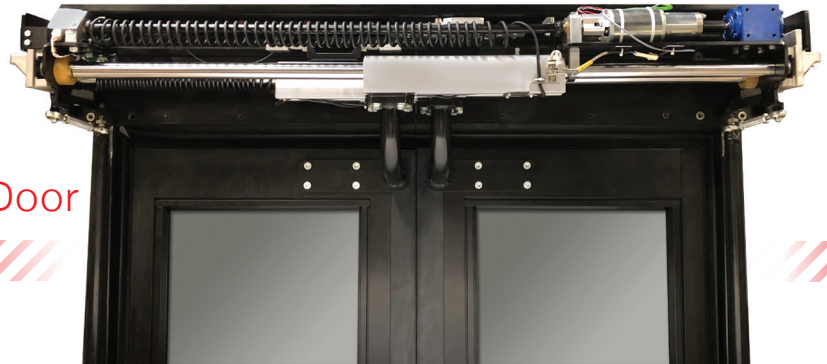


The Vapor OSSP door system contains actuator mechanism, door panels, mechanical linkages and electronic controller.



vDEC Controller

Improve Operational Efficiency, Safety and Enhance Vehicle Aesthetics



- Robust, high-efficiency electric drive system for smooth, quiet operation
- Compact, lightweight and easy to install
- Positive door locking mechanism
- Intelligent vDEC™ electronic controller provides obstruction sensing, advanced event logging, communication and diagnostic capabilities
- Electric sensitive edges
- Optimal door edge sealing design



- + Compact actuator design allows for easy access and serviceability
- + Wide door opening for fast passenger loading and unloading
- + Plug geometry eliminates door panel intrusion – allows more passenger space
- + Superior door edge seals eliminate conditioned air loss and block out external dust and noise
- + Smart, powerful controller ensures consistent opening and closing speeds
- + Adaptive Threshold Obstruction Sensing for enhanced passenger safety
- + Self-optimizing door setup simplifies installation and adjustment
- + Unique drive system requires no lubrication

Ready to Show



Ready to Quote



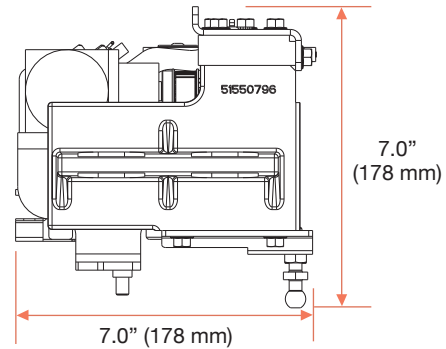
Ready to Produce



In Production



- Exceeds all North American requirements
- For transit and shuttle buses and autonomous vehicles



Specifications

Portal Opening:

Single panel
Dual panel

39.3 inches (1000 mm standard)
47.25 - 55.90 inches (1200 - 1420 mm)

Unplug Excursion:

3.94 inches (100 mm)

Door Opening/Closing Times:

Fully programmable – 2.5 to 3.0 seconds typical

Obstruction Detection:

Electric Sensitive Edges
Electronic motion control algorithms
Vapor CLASS® Ultra optional

Emergency Door Release:

Pneumatic and mechanical release options

vDEC Controller:

Full range of functional capabilities and interface options

Communications Interface:

CAN bus or direct wiring

Diagnostics:

USB interface. Optional wireless interface.

Operating Voltage:

12VDC to 24VDC nominal

Operating Temperature:

-4° to 140° F (- 20° to 60° C)

Design Life:

1,000,000 cycles

Drive Configuration:

Electric

**For more information, contact your local
Wabtec Bus Solutions representative.**

Vapor Bus International, A Wabtec Company

1010 Johnson Drive, Buffalo Grove, Illinois 60089

Tel: 866-375-4126 / Fax: 847.520.2222

www.vapordoors.com

Email: WabtecBusSolutions@wabtec.com

Bulletin No. 53-8012 © 2-2021 Printed in U.S.A.

U.S. and foreign patents are applicable and/or pending to products described and illustrated herein.

Vapor, Vapor Bus International and CLASS are registered trademarks of the Wabtec Corporation.

Vapor reserves the right to discontinue products or change product specifications or designs at any time without notification.

www.WabtecCorp.com