



Providing safe
and convenient
access for all



Access sliding step

The key product
for train accessibility



High level of standardization
for a best-in-class reliability

Unique patented design:

- Compliant with any type of vehicle
- Specially adapted to Person with Reduced Mobility



CUSTOMER BENEFITS:

- + **Fully integrated access system**
Only one DCU driving both door and step devices
- + **Easy integration**
Compact design
- + **Optimal safety**
Self locking in any position without power
- + **Meets the most stringent standards**
PRM TSI, EN 14752,...
- + **High reliability**
Over 10,000 units in service worldwide

Prototype



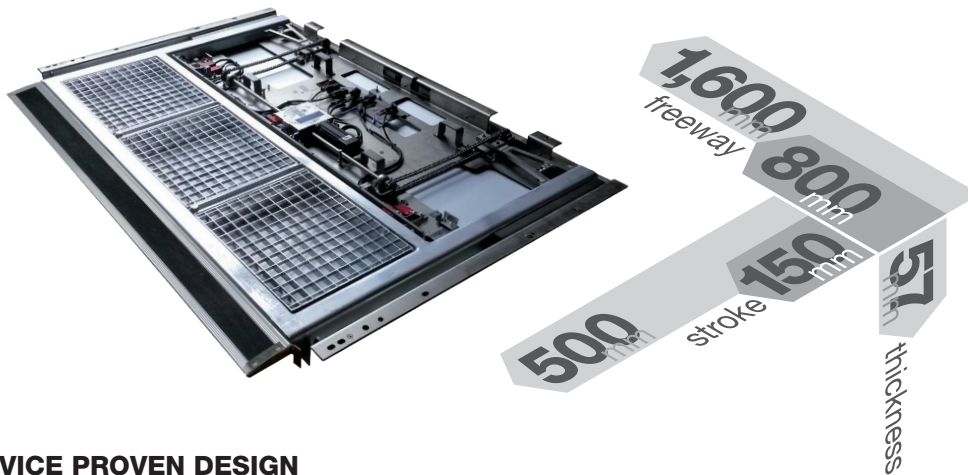
Ready to quote



Ready to produce



In production



SERVICE PROVEN DESIGN

- Electric motorization
- Irreversible drive
- “Cassette” or “Floor integrated” mounting
- Lockout and manual modes

Typical characteristics for a 1,300 mm door

Thickness	57 mm
Weight	65 kg
Stroke	150 - 500 mm
Freeway	800 - 1,600 mm
Opening - closing time	2.5 seconds (for a 300 mm stroke)



To discover everything **Access sliding step** can do, contact:

Faiveley Transport Tours

Z.I. Les Yvaudières - 75, avenue Yves Farge
BP 149 - 37701 SAINT-PIERRE-DES-CORPS Cedex - France
Tel: +33 (0)2 47 32 55 55 - Email: raildoors@wabtec.com
www.wabtec.com