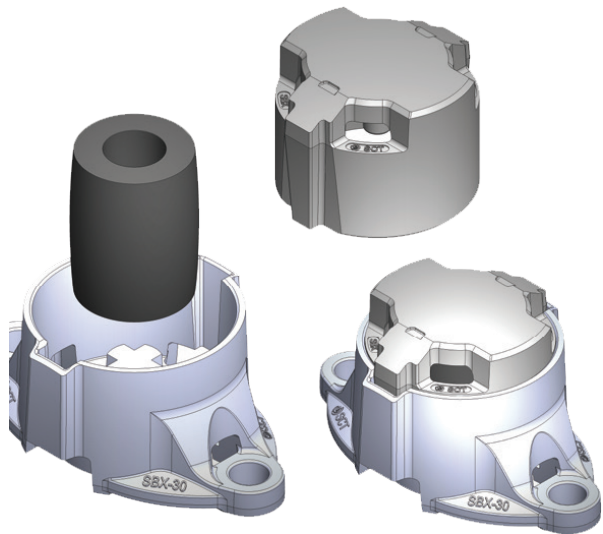


## Truck Systems

# Side Bearings

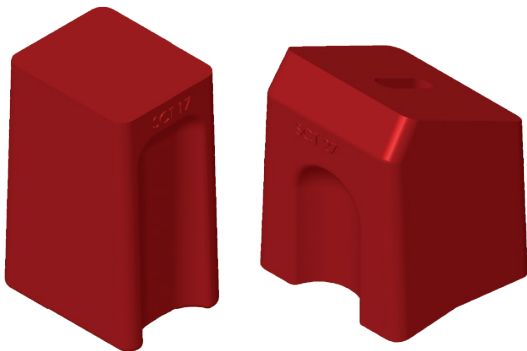


### SBX Type Constant Contact Side Bearings

- AAR M-948-2006 premium approved
- 5/8" long travel
- Patented vented top cap for lower operating temperatures
- Top cap metallurgy provides consistent friction as well as superior wear characteristics
- Elastomeric spring designed for consistent performance and vertical damping over an extended temperature range
- Tightly machined cap/cage interface for stability and long life

Model #	Preload Weight
SBX-30	3,000 lbs.
SBX-45	4,500 lbs.
SBX-60	6,000 lbs.
SBX-80	8,000 lbs.

### Replacement Blocks for Stucki Constant Contact Side Bearings



Model #	Preload Weight	Block
<b>Resilient</b>		
690-RL	3,600 lbs.	SCT-17 (3)
656-CR	6,000 lbs.	SCT-11 (2)
688-BR	6,000 lbs.	SCT-9 (3)
<b>Metal-Capped</b>		
675-RL	3,000 lbs.	SCT-24 (2)
685-RM	4,500 lbs.	SCT-34 (2)
656-CRH	5,400 lbs.	SCT-27 (2)
<b>Roller Assist – Metal Capped</b>		
ISB-8	3,000 lbs.	SCT-24 (2)
ISB-10	4,500 lbs.	SCT-34 (2)
ISB-12	5,400 lbs.	SCT-27 (2)
<b>Retrofit Long Travel Upgrade</b>		
RetroXT 5400C	5,400 lbs.	SCT-56 (2)
RetroXT LP Drop In	4,500 lbs.	SCT-57 (2)