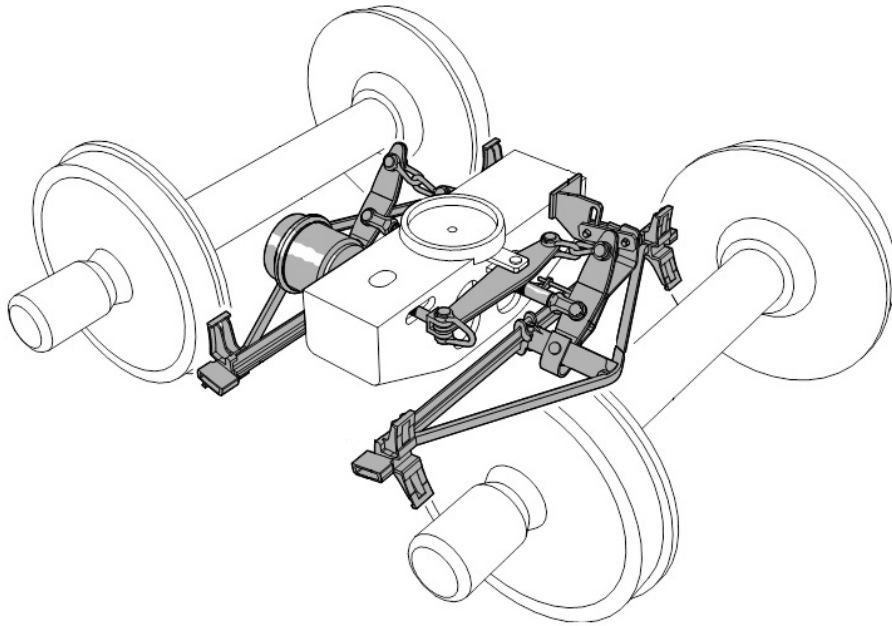
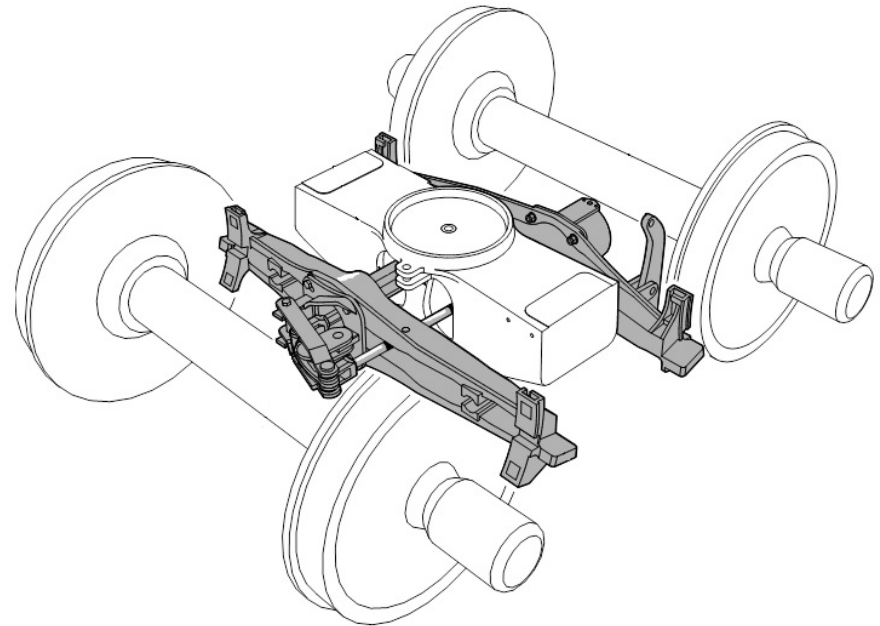


# Triax Replacement Part Guide



## TRIAX Brake System

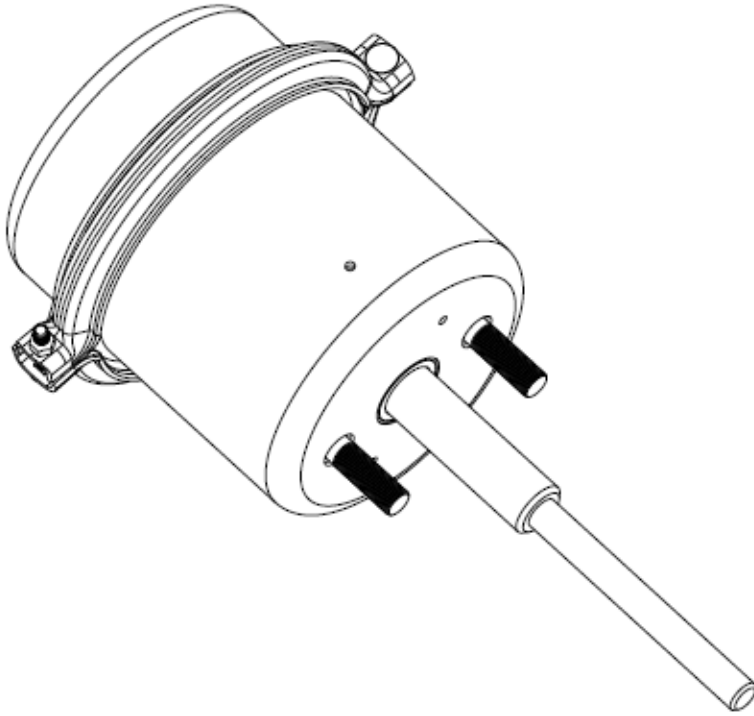
Bolster Mounted Brake System  
Utilizing Standard AAR Brake Beams



## TRIAX-II Brake System

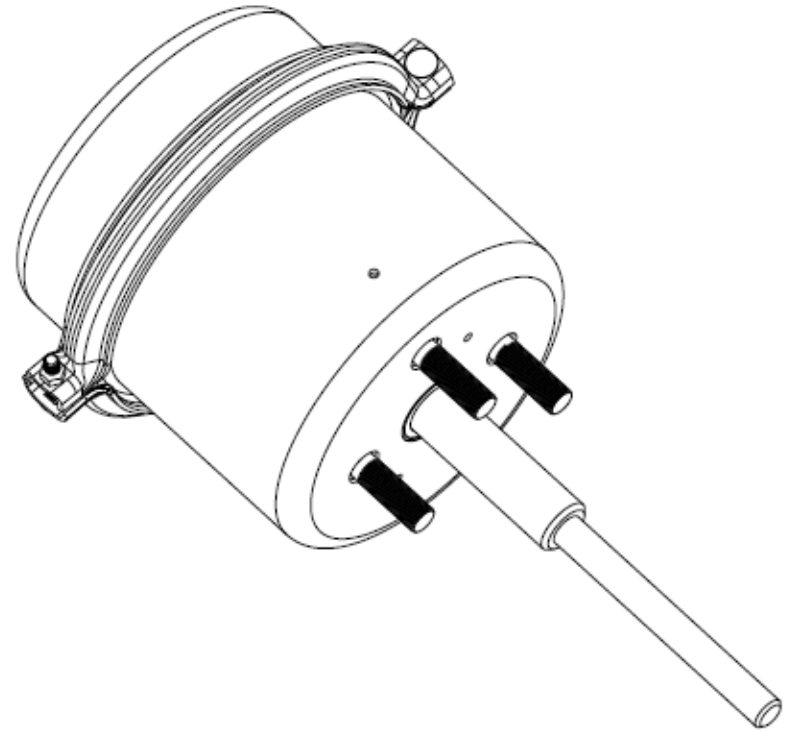
Truck Mounted Brake System  
Utilizing Wabcopac/Nycopac Beams  
Conversion to add a Slack Adjuster

## Triax Brake System Replacement Part Guide



Part Number: 50X

Drawing Number: TTC-889

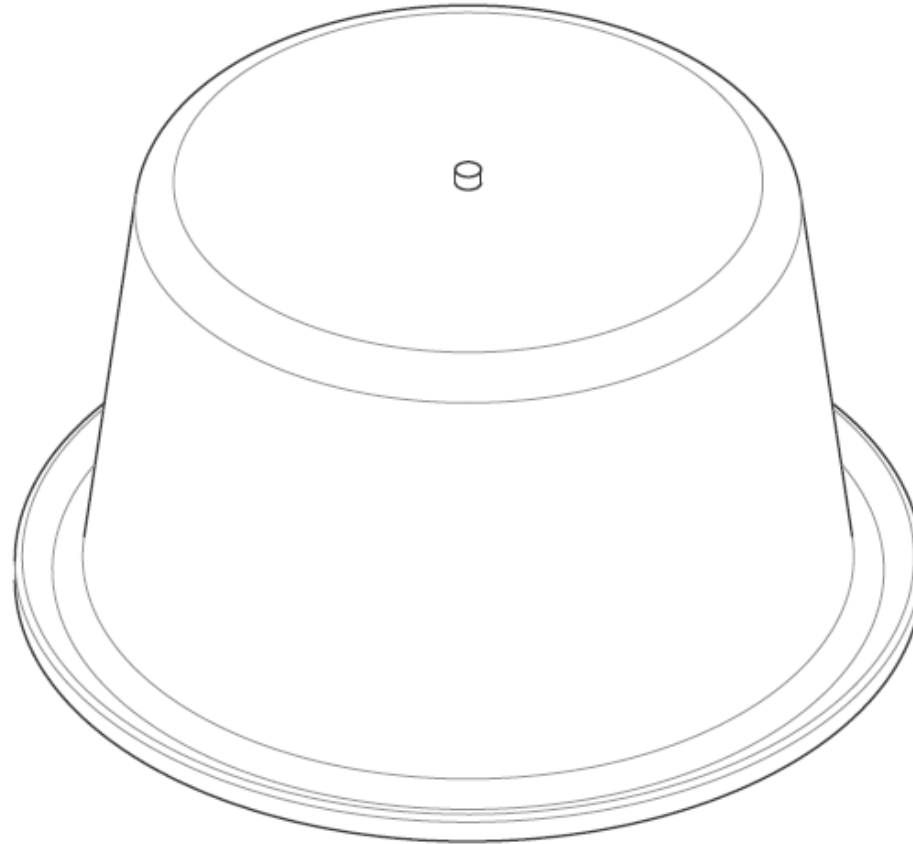


Part Number: 60X

Drawing Number: TTC-882

## Triax Brake System Replacement Part Guide

### Replacement Diaphragm



Part/Drawing Number: TTC-898

For 50X Cylinder

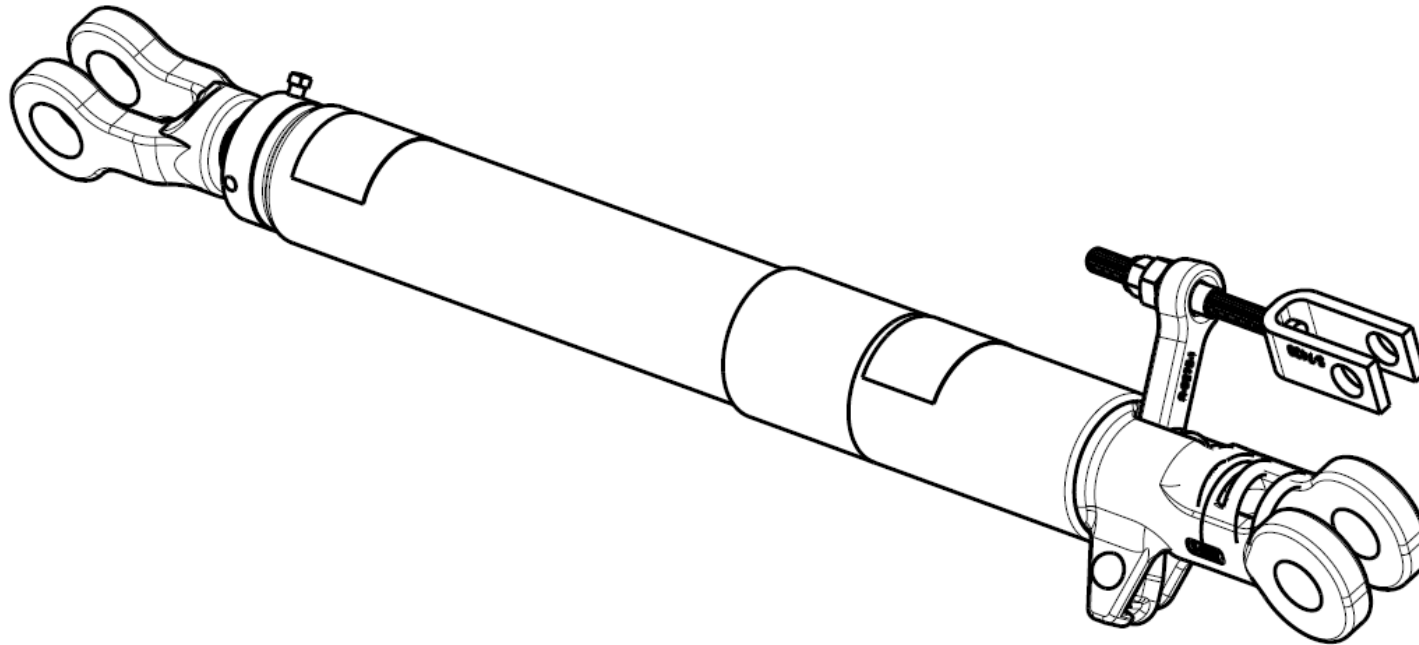
Part/Drawing Number: TTC-525

For 60X Cylinder

Part/Drawing Number: TTC-509

For 36X Cylinder

# MODEL 5D SLACK ADJUSTER

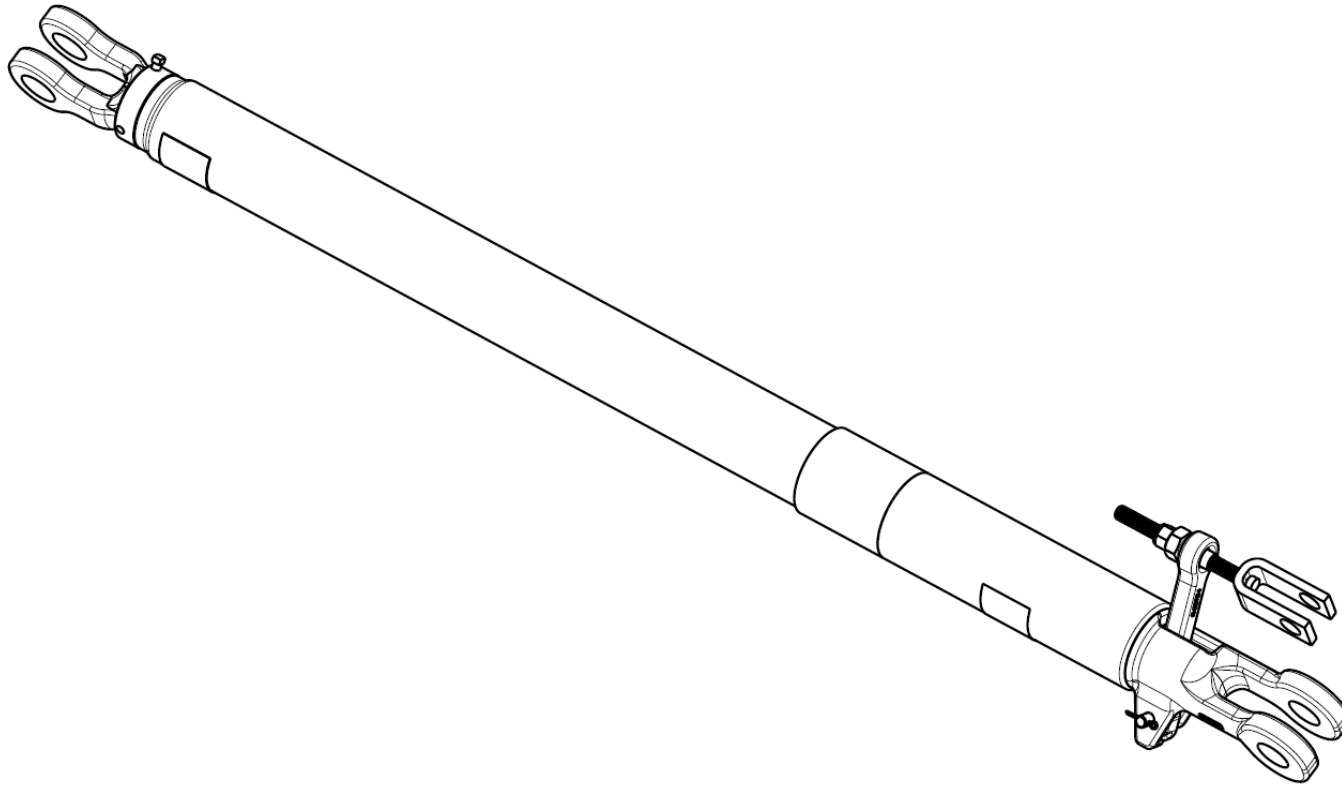


Part Number: M-5D

Drawing Number: U-2768

Drop in Replacement for TRIAX Model TTC-356-E

# MODEL C-1108-DJ SLACK ADJUSTER



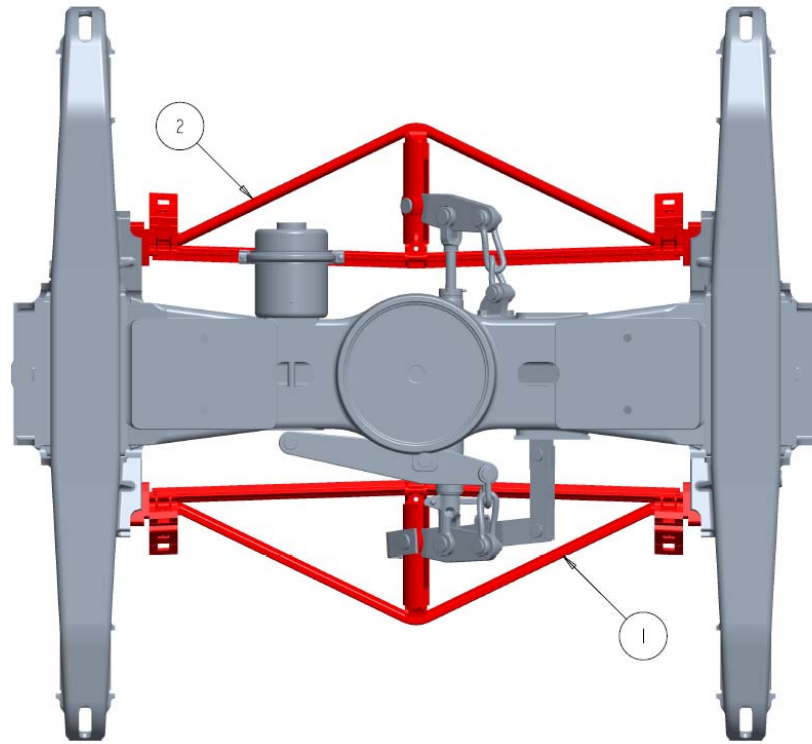
Part Number: C-1108-DJ

Drawing Number: SA-11078

Drop in Replacement for TRIAX Model TTC-544

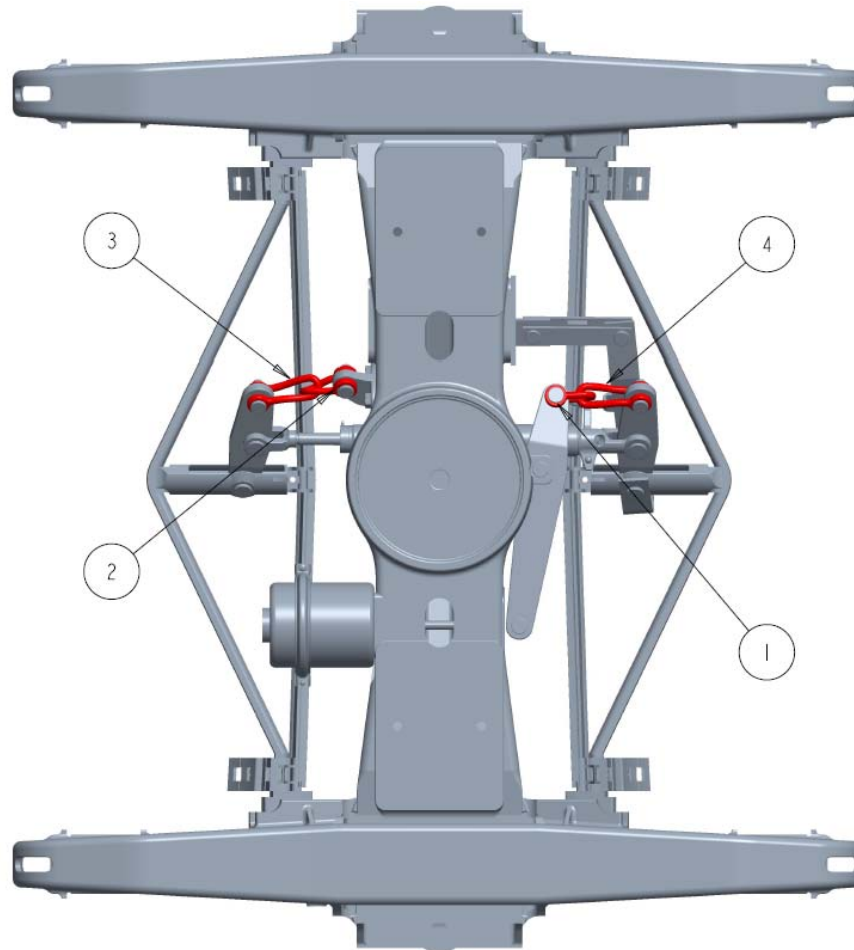
For International Applications

## Triax Brake System Replacement Part Guide



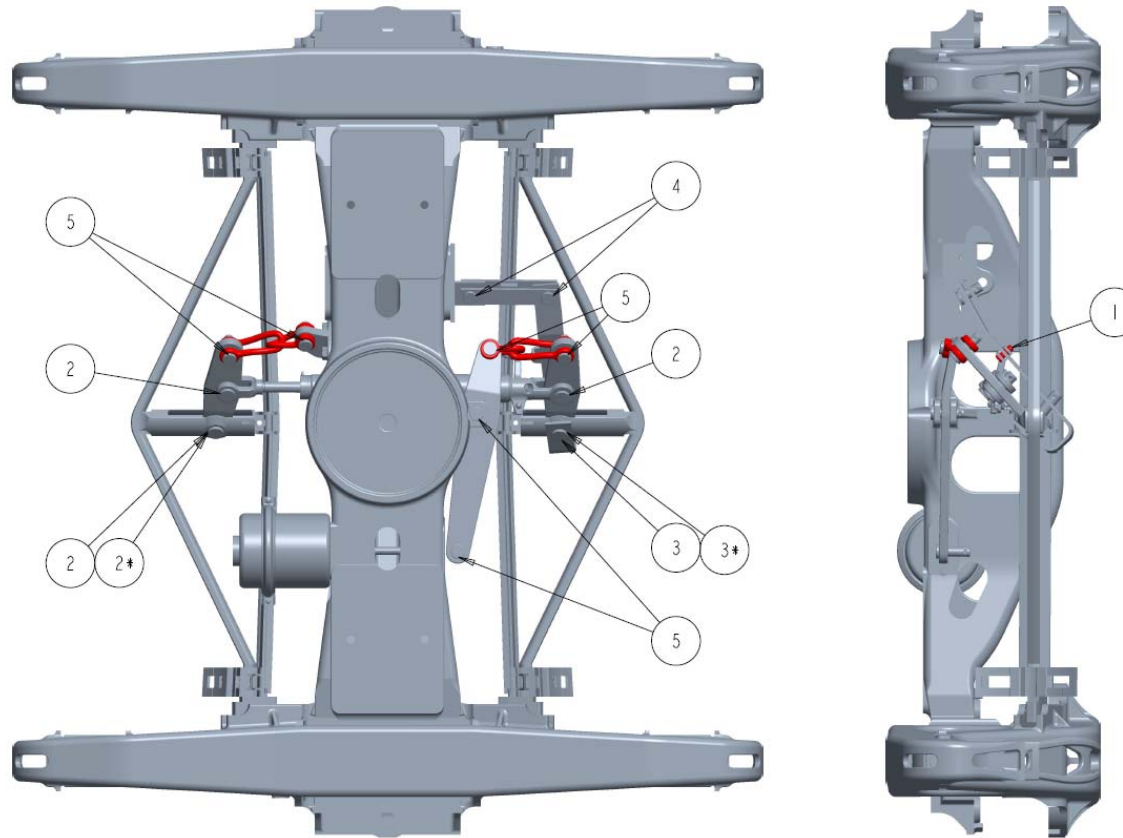
<b>Brake Beams</b>		
Item No.	Part No.	Description
1	D-2521-L	#24 BRAKE BEAM, BUSHED STRUT, LH
1	D-2520-L	#24 BRAKE BEAM, LH
1	D-2523-L	#18 BRAKE BEAM, BUSHED STRUT, LH
1	D-2522-L	#18 BRAKE BEAM, LH
2	D-2521-R	#24 BRAKE BEAM, BUSHED STRUT, RH
2	D-2520-R	#24 BRAKE BEAM, RH
2	D-2523-R	#18 BRAKE BEAM, BUSHED STRUT, RH
2	D-2522-R	#18 BRAKE BEAM, RH

## Triax Brake System Replacement Part Guide



<b>Clevis</b>		
<b>Item No.</b>	<b>Part No.</b>	<b>Description</b>
1	1111-1111	CLEVIS, 3-3/8" THROAT
2	1121-8176	CLEVIS, 4" THROAT, 41° LH TWIST
3	1321-8175	CLEVIS, 5-15/16" THROAT, 49° LH TWIST
4	1321-8181	CLEVIS, 5-15/16" THROAT, 49° RH TWIST

## Triax Brake System Replacement Part Guide



### Brake Pins

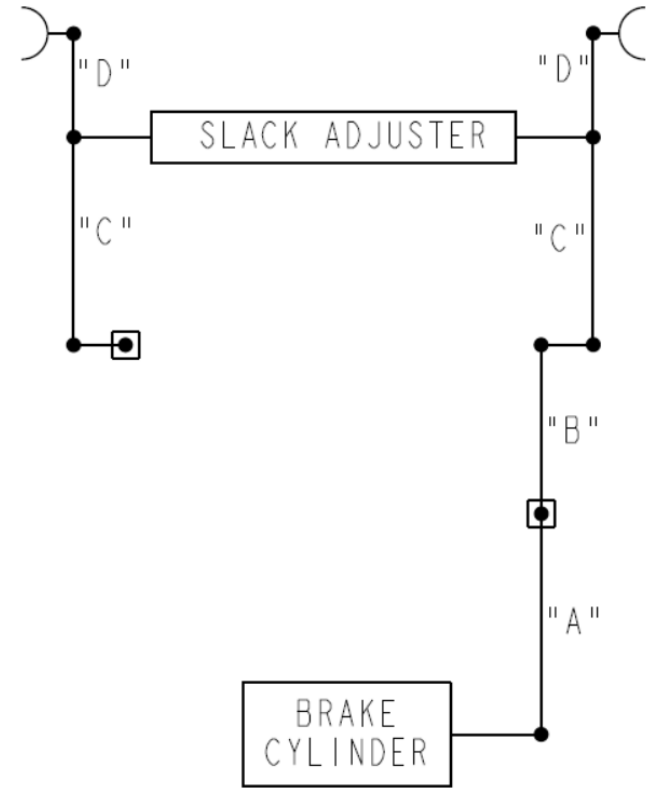
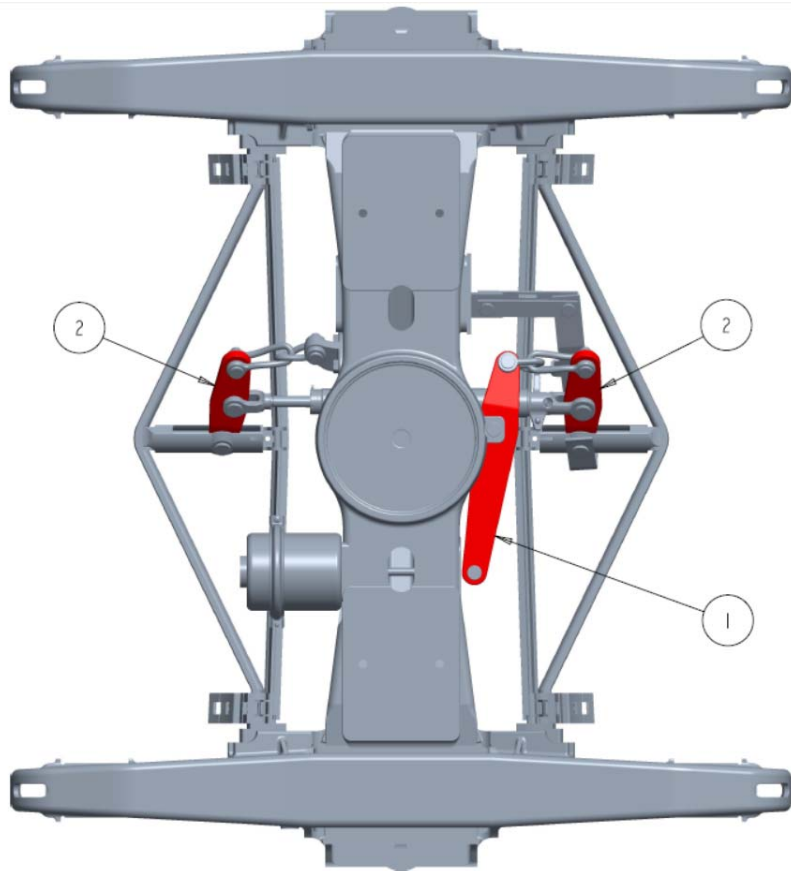
Item No.	Part No.	Description
1	660420	CONTROL ROD PIN, $\varnothing 3/4$ " X 1-3/4"
2	WRBP11/32X3	BRAKE PIN, $\varnothing 1-11/32$ " X 3"
2*	WRBP3/32X3	BRAKE PIN, $\varnothing 1-3/32$ " X 3"
3	WRBP11/32X5-3/8	BRAKE PIN, $\varnothing 1-11/32$ " X 5-3/8"
3*	WRBP3/32X5-3/8	BRAKE PIN, $\varnothing 1-3/32$ " X 5-3/8"
4	WRBP3/32X2	BRAKE PIN, $\varnothing 1-3/32$ " X 2"
5	WRBP3/32X3	BRAKE PIN, $\varnothing 1-3/32$ " X 3"

\*FOR #18 BRAKE BEAMS

\*FOR #18 BRAKE BEAMS



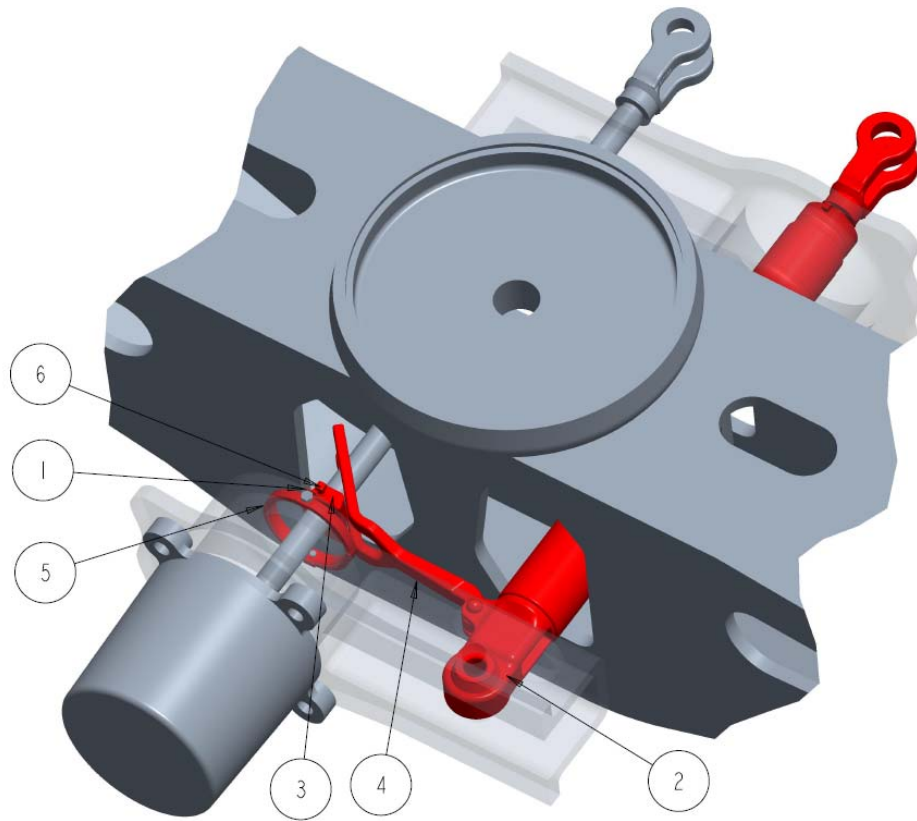
## Triax Brake System Replacement Part Guide



<b>Levers</b>						
Item No.	Part No.	Description	"A"	"B"	"C"	"D"
1	997-3777	LEVER, 7-1/2" X 16"	16"	7-1/2"	—	—
1	997-3778	LEVER, 7-1/2" X 17"	17"	7-1/2"	—	—
1	997-3782	LEVER, 8" X 17"	17"	8"	—	—
2	1062-3697	LEVER, 5-5/8" X 6"	—	—	6"	5-5/8"
2	1061-3745	LEVER, 5-3/4" X 7-1/2"	—	—	7-1/2"	5-3/4"
2	1060-3696	LEVER, 5-3/4" X 9"	—	—	9"	5-3/4"

CONSULT BADGE PLATE TO DETERMINE CORRECT LEVER LENGTHS

## Triax Brake System Replacement Part Guide



SA-11098 Conversion Kit to Replace  
 TRIAX Model TTC-400 With  
 Wabtec Model 85-TTC  
 1 Kit Required Per Truck  
 See Manual SA-11099 for Installation  
 Instructions/Replacement

<b>SA-11098</b>		
Item No.	Part No.	Description
1	500163	LOCK WASHER
2	85-TTC	SLACK ADJUSTER ASSEMBLY, MODEL 85-TTC
3	R-8231	SLIDING COLLAR
4	R-8217	TRIGGER
5	S-7401	HOLLOW ROD COLLAR
6	X-108	SET-SCREW, CONE POINT, 3/8-24 UNC X 1" LONG, SQUARE HEAD