

KinetiX

Inspection
Technologies



AXLE
NUT
MISSING



MISSING
COUPLER
PIN



BROKEN
FLOOR
SUPPORT



KINETIX INSPECTION TECHNOLOGIES

Keeping railway assets
in motion



How can you make your operation faster and more efficient while helping to ensure optimal performance and safety?

In today's challenging environment, many railroads struggle with asset condition, situational awareness, and a workforce in transition.

RAIL OPERATORS NEED THE ABILITY TO

Streamline inspections and operations:
Automate inspections. Improve accuracy.

Increase asset reliability and availability:
Preempt issues. Maximize workforce. Reduce cost.

Improve safety and compliance:
Mitigate incidents. Protect personnel.

Increase situational awareness:
Maintain visibility. Execute efficiently.



IMPROVE ASSET PERFORMANCE, REDUCE MAINTENANCE COSTS, AND MINIMIZE TRAIN DELAYS.

Railroads worldwide face a common challenge: how to maximize the operational availability and reliability of rail assets while minimizing costs. Within every trip, there are hundreds of variables that when not maintained properly, can reduce fuel efficiency, shorten maintenance intervals, degrade asset life, or even bring the mission to a complete halt, resulting in costly network delays and service interruptions.

KinetiX Inspection Technologies delivers the next generation of automated rolling stock and infrastructure monitoring, inspection, and maintenance optimization.



WAYSIDE

Identify and manage the factors impacting asset reliability – automatically.

KEY TECHNOLOGIES

- Advanced vision systems
- Bayesian image processing
- Acoustic sensors
- Thermal sensors
- Vibration sensors



CROSSINGS

Monitor crossing equipment with real-time data and powerful analytics.

KEY TECHNOLOGIES

- Existing PTC telemetry data
- Smart crossing data recorder
- Communications to back office without needing WAN



YARD

Track and trace railcars/containers in the yard. Execute plans in response to operational conditions.

KEY TECHNOLOGIES

- Advanced vision systems
- Edge computing
- AI models & algorithms

01

REDUCE TRAIN DELAYS

Increase the reliability and availability of rolling stock assets through automatic measurement and inspection at track speed.

02

EXPAND VISIBILITY IN THE YARD

Give your crew a new set of eyes and reduce time spent looking for information with real-time railcar and container status.

03

INCREASE WORKFORCE PRODUCTIVITY

Streamline and automate inspections through continuous condition monitoring with machine vision, powerful sensors, and AI-driven analytics.

04

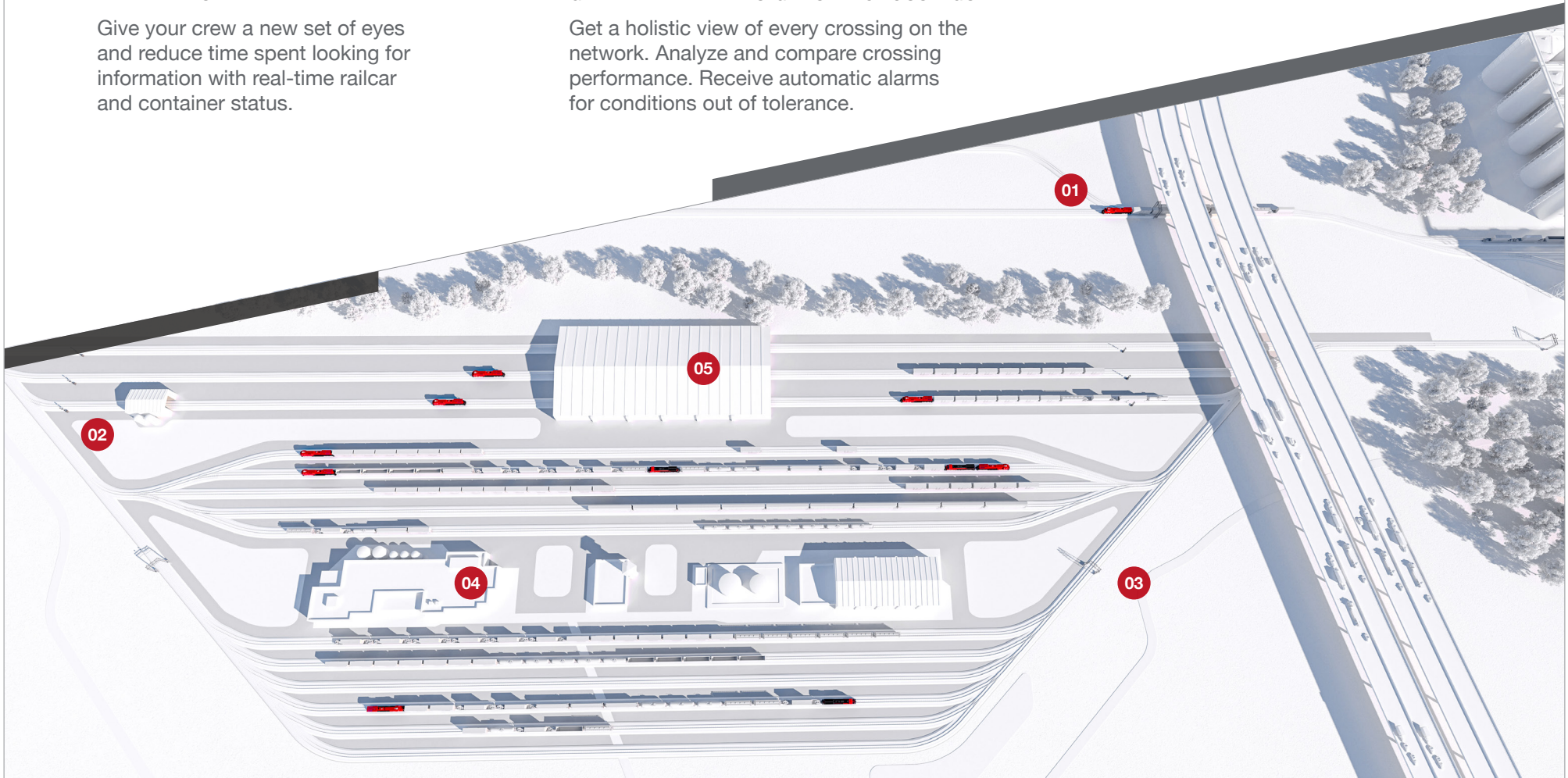
GAIN REAL TIME INSIGHTS AT CROSSINGS

Get a holistic view of every crossing on the network. Analyze and compare crossing performance. Receive automatic alarms for conditions out of tolerance.

05

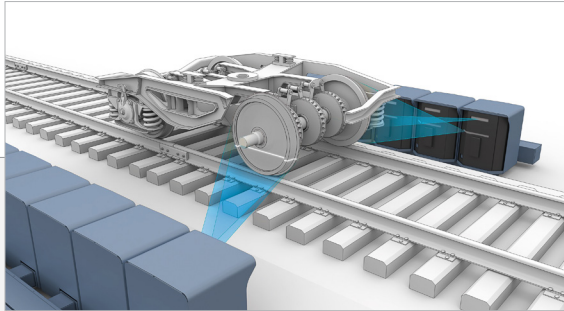
BOOST OPERATIONAL EFFECTIVENESS

Empower your workforce and optimize the life cycle of critical assets with web-based access to data visualization, alarm management, and analytics.



Solutions Showcase **Machine Vision**

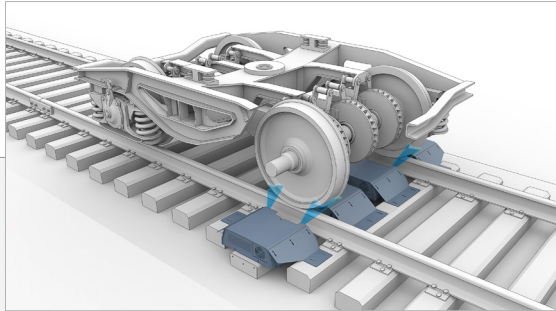
Wayside Inspection



WHEEL SURFACE INSPECTION

TreadView®

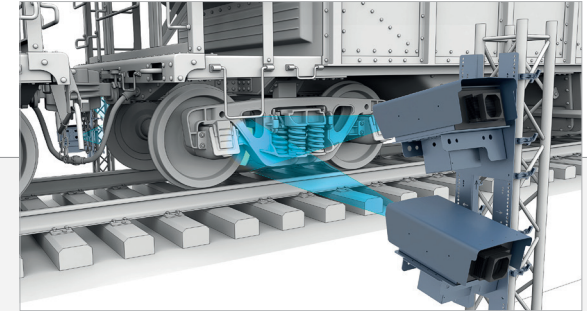
- Shelled and spalled tread
- Major scrapes, dents, and gouges
- Broken/missing wheel sections
- Shattered rim
- Broken /damaged flange
- Wheel flats and slid flats
- Built-up tread
- Tread groove



WHEEL PROFILE MEASUREMENT

WheelView®

- Full wheel profile
- Flange height
- Flange width (thickness)
- Flange slope
- Tread hollow
- Rim thickness
- Back-to-back (B2B)



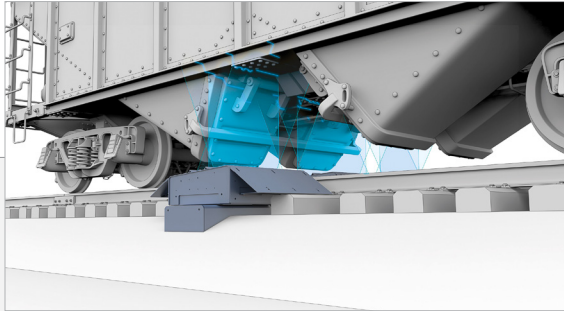
BRAKE INSPECTION AND MEASUREMENT

BrakeView®-Shoe

- Shoe thickness in top and bottom positions
- Shoe wear profile
- Shoe position with respect to the wheel surface
- Missing key detection
- Missing shoe detection
- Shoe securement key length

Solutions Showcase **Machine Vision**

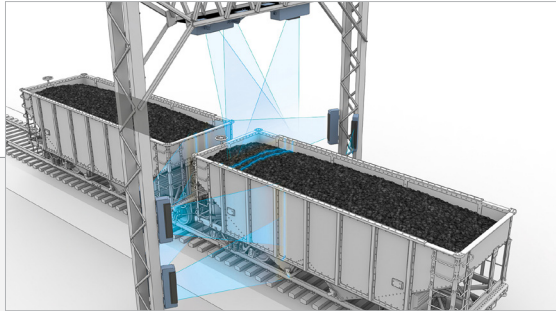
Wayside Inspection



**RAILCAR STRUCTURAL
COMPONENTS + UNDERCARRIAGE**

CSCView[®]

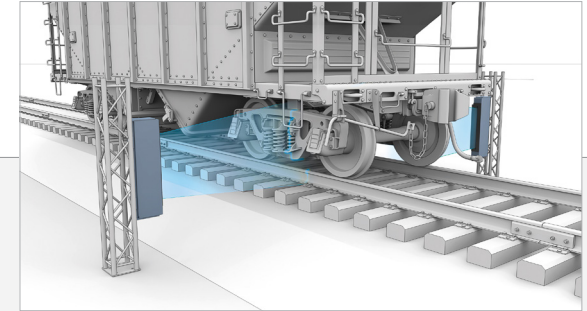
- Floor support inspection
- Center sill crack detection
- Brake beam inspection
- Missing bolt(s) detection: coupler and draft gear carrier plates
- Missing knuckle pin detection
- Missing uncoupling lever detection



FULL SCALE TRAIN IMAGING & INSPECTION

TrainView[®]

- Wagon tag identification
- Missing/damaged reflective decals detection
- Missing label holder detection
- Missing brake wheel detection
- Missing/broken shedding shields detection
- Bent top chord detection



PANTOGRAPH INSPECTION

TruckView[®]

- Wedge height
- Bolster height
- Spring nest height
- Spring inspection
- Missing bearing cap and cap bolts
- VTA valve inspection
- Missing R-clip and clevis pin detection

Solutions Showcase

Acoustic, Thermal, and Vibration Monitoring

Wayside Inspection



BEARING ACOUSTIC MONITOR

RailBAM

- Axle bearing faults
- Beam forming technology
- Multiple bearing classes
- Axle count
- Aar rules compliant
- Early and consistent fault detection
- Fleet-wide data
- IB variant targets:
 - Inboard axle journal
 - Gearboxes
 - Suspension/u-tube bearings
 - Traction motors

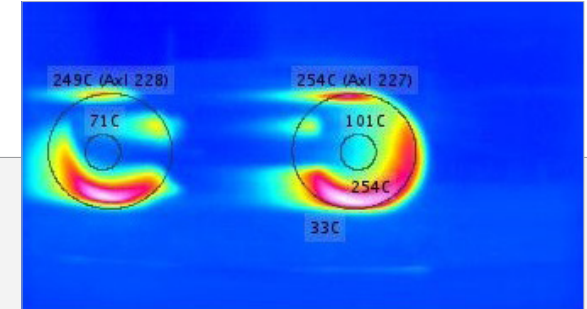
Example measurements and inspection



WHEEL CONDITION MONITOR

WCM®

- Wheel impact detection
- Weight measurements for wheel, axle and vehicle
- Reporting overloading at different levels
- Vehicle end-to-end (ETE) and side-to-side (STS) imbalance
- Detection and reporting of poor wheel load distribution
- Detail surface defect detection via imaging systems (optional)



ANALYTICS APPLIED TO THERMOGRAPHIC IMAGES

ThermalCAM

- Generates thermographic images of trains
- Outputs bearing and wheel temperatures allowing hot/cold wheel detection
- Provides an image and a wider field of view compared to traditional HBWD devices, allowing temperatures of other components to be measured
- Application exists for hot tires/wheel hubs of mining trucks



WABTEC CORPORATION

30 Isabella Street
Pittsburgh, PA 15212 USA

Email: wabtec-kinetix@wabtec.com
Phone: 412.825.1000

KinetiX | Inspection Technologies

