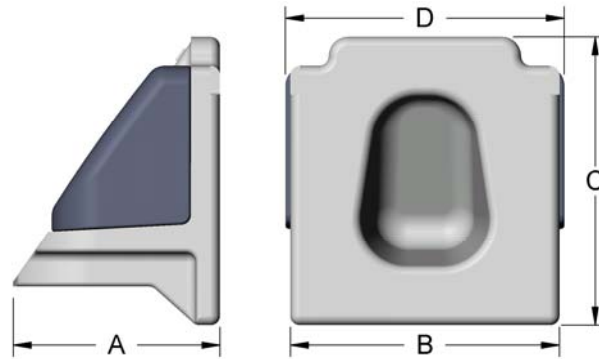


Barber TwinGuard Wedges



Truck Type	TwinGuard Wedge*	Bearing Size**	Spring Travel	No. of Side Springs	A	B	C	D	Drawing Number
S-2-B	911-PC	6 x 11 6 1/2 x 12	D4	2	4 1/8	5 1/2	6 3/4	5 7/8	5462
S-2-C	911-PC	6 x 11 6 1/2 x 12	D5	2	4 1/8	5 1/2	6 3/4	5 7/8	5462
S-2-D	921-PC	6 1/2 x 12	D5 D7	2	5 3/8	7	7 1/2	7 1/4	5897
S-2-HD S-2-HD-9C	916-PC	6 1/2 x 12	D5	2	5 1/4	6 1/2	7 1/2	6 3/4	5685

* Bolster pocket must have square sidewalls to use TwinGuard wedge.

** All wedges listed for 6 1/2 x 12 bearings are fully compatible with 6 1/2 x 9 bearings.

Wedges are sold as shown above, or individual components can be purchased separately as shown below.

TwinGuard Wedge Components			
Wedge	Casting	Left Pad	Right Pad
911-PC	911	5461-L	5461-R
921-PC	921	5895-L	5895-R
916-PC	916	5684-L	5684-R

